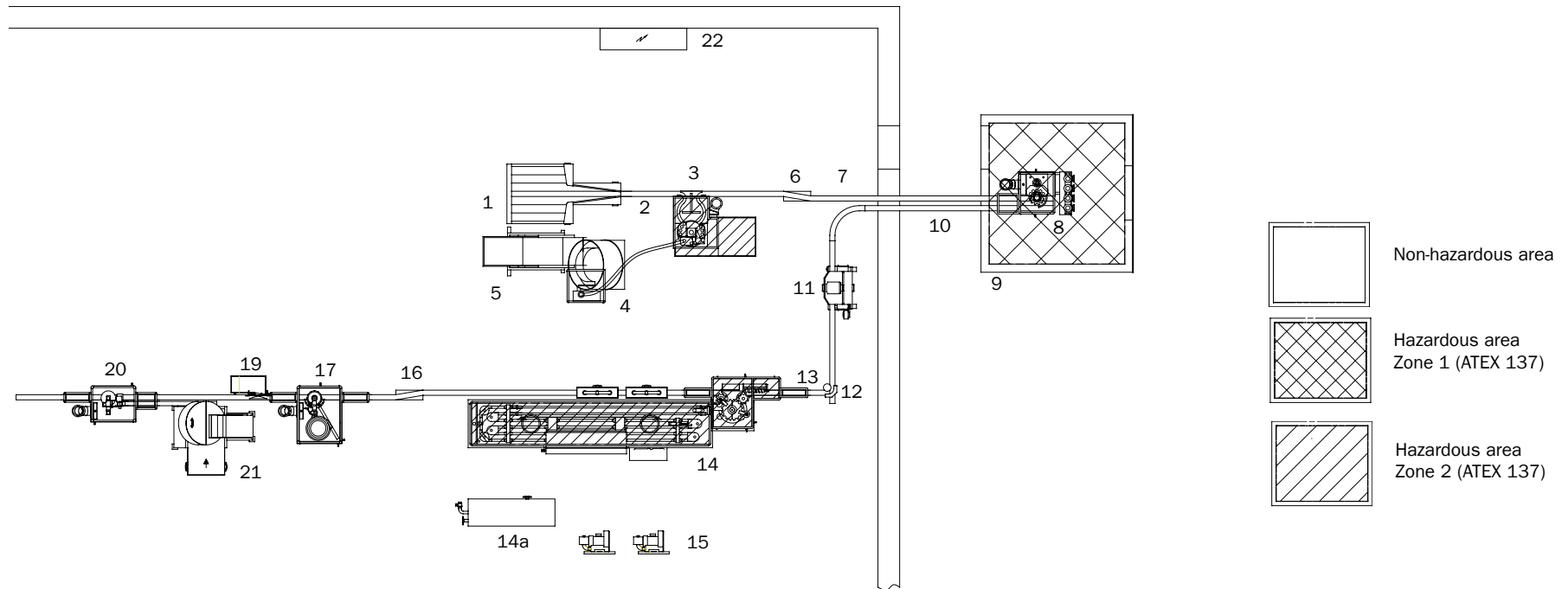


Automatic Aerosol Filling Line

Type Macromat 2045/014, Standard

Capacity: 40 - 60 containers/min



- | | | | |
|--------------------|---------------------------------------|---------------------------|-------------------------|
| 1 Feed Table | 7 Conveyor Belt | 12 Angle Guide | 17 Conveyor Belt |
| 2 Conveyor Belt | 8 Propellant Filler (Indexing Unit) | 13 Drying Conveyor | 18 Spray head Inserter |
| 3 Macromat | 9 Gashouse | 14 Water Bath Eco 90 | 19 Spray head Control |
| 4 Valve Sorter | 10 Conveyor Belt | 14a Heating Water Bath | 20 Capper |
| 5 Elevator | 11 Checkweigher (third party product) | 15 Blower Drying Conveyor | 21 Cap Sorter |
| 6 Connection Piece | | 16 Connection Piece | 22 Electrical Enclosure |