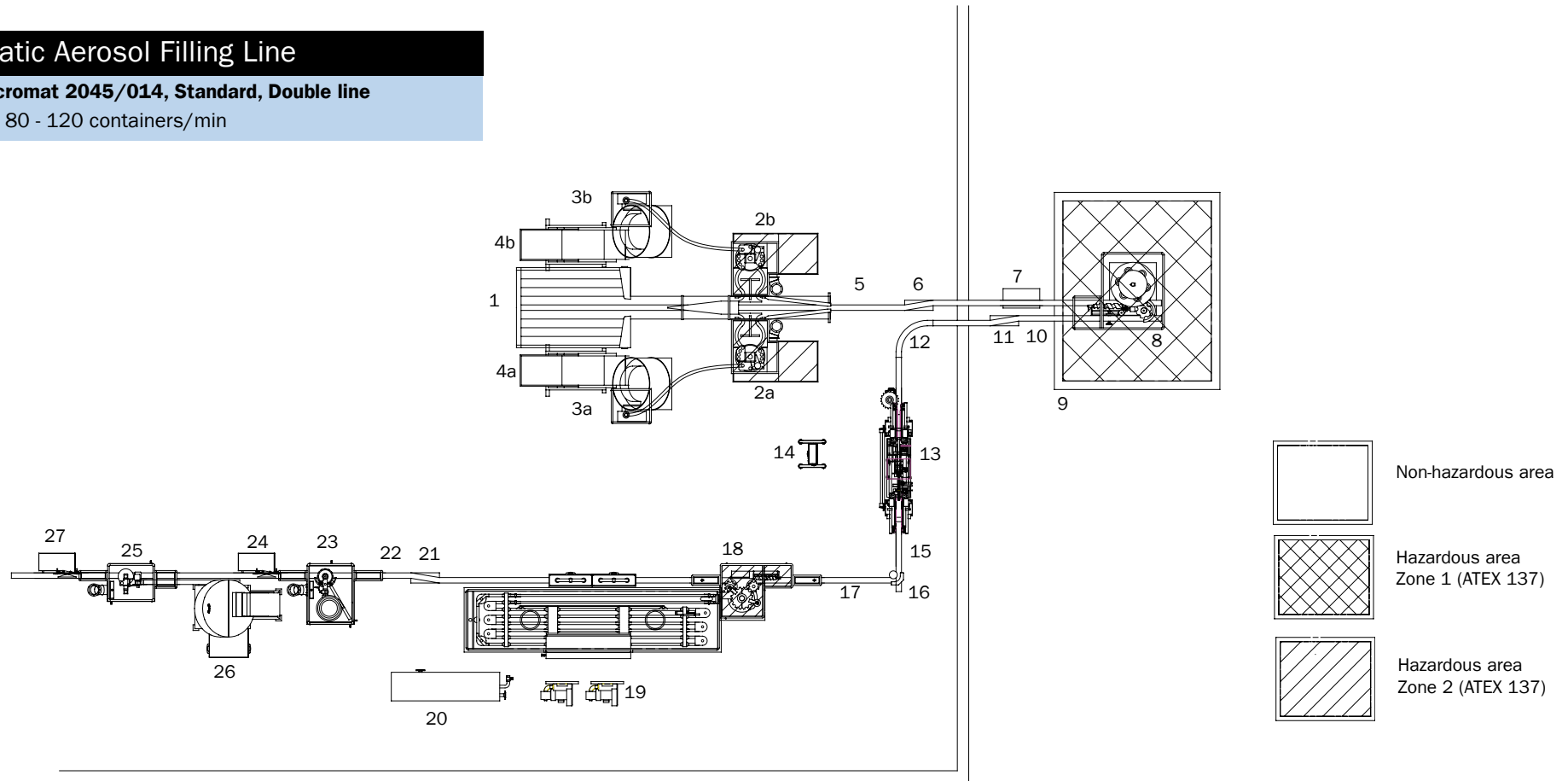


## Automatic Aerosol Filling Line

**Type Macromat 2045/014, Standard, Double line**

Capacity: 80 - 120 containers/min



- |    |               |    |                                    |    |                               |    |                      |
|----|---------------|----|------------------------------------|----|-------------------------------|----|----------------------|
| 1  | Feed Table    | 6  | Connection Piece                   | 14 | Ink Jet (third party product) | 22 | Conveyor Belt        |
| 2a | Macromat A    | 7  | Conveyor Belt                      | 15 | Conveyor Belt                 | 23 | Spray head Inserter  |
| 2b | Macromat B    | 8  | Propellant Filler (Rotary)         | 16 | Angle Guide                   | 24 | Spray head Control   |
| 3a | Valve Sorter  | 9  | Gashouse                           | 17 | Drying Conveyor               | 25 | Capper               |
| 3a | Valve Sorter  | 10 | Conveyor Belt                      | 18 | Water Bath Eco 120            | 26 | Cap Sorter, Elevator |
| 4a | Elevator      | 11 | Connection Piece                   | 19 | Blower Drying Conveyor        | 27 | Cap Control          |
| 4b | Elevator      | 12 | Conveyor Belt                      | 20 | Heating Water Bath            |    |                      |
| 5  | Conveyor Belt | 13 | Checkweigher (third party product) | 21 | Connection Piece              |    |                      |